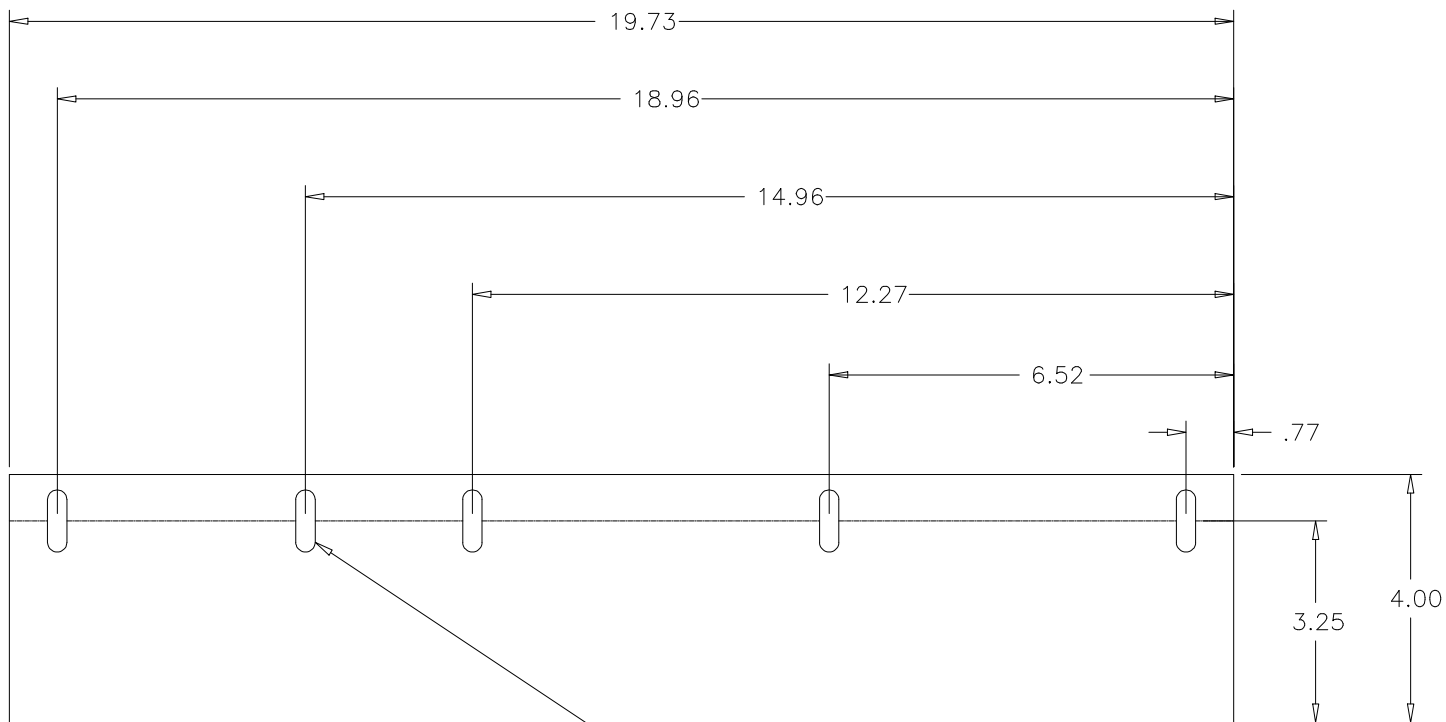
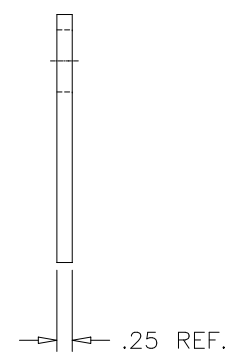


REV	ECN #	DATE	DESCRIPTION OF CHANGE-IS (WAS)	BY:
(A)	5272	8/31/95	RELEASED FOR PRODUCTION	JDH

316760/A



.312 X 1.00 SLOT 5-PLACES



THIS DOCUMENT AND ALL INFORMATION CONTAINED IN THIS DOCUMENT ARE CONFIDENTIAL AND PROPRIETARY TO AAR POWERBOSS, INC. ("AAR"). UNAUTHORIZED POSSESSION OR USE THEREOF IS PROHIBITED. THIS DOCUMENT, OR ANY PART HEREOF, OR ANY INFORMATION CONTAINED HEREIN, MAY NOT BE DUPLICATED, REPRODUCED, OR DISCLOSED TO ANY PERSON FOR ANY PURPOSE EXCEPT AS SPECIFICALLY AUTHORIZED IN WRITING BY AAR. BY ACCEPTING THIS DOCUMENT, RECIPIENT AGREES TO COMPLY WITH THE FOREGOING AND TO RETURN THIS DOCUMENT TO AAR IMMEDIATELY UPON REQUEST. UNPUBLISHED--ALL RIGHTS RESERVED UNDER COPYRIGHT LAWS.

SOURCE:	
PN. RED LINATEX 1/4 THK.	
MATERIAL:	
FINISH: NONE	
UNSPECIFIED TOLERANCES	
.X .1	ANGULAR:
.XX .03	X. 1°
.XXX .010	.X .5°
DES. ENG: J D HUGHES	
ENG. REL:	

AAR PowerBoss
Aberdeen, North Carolina 28315
PHONE (910) 944-2105 FAX (910) 944-7409

CAD BY: JDH	DATE: 5/9/95
DESCRIPTION	
SQUEEGEE-RH SIDE TSS82 ES	
PART NO. 316760	REV LEV A
SHT NO. 1	

Y
X